

SIM-KNX

Serial Interface for KNX

„ The easy way to connect to the KNX.“

The SIM-KNX is an easy-to-use Serial Interface Module for connecting to the KNX. Access to the SIM-KNX from your application is done via a simple serial ASCII protocol.

The SIM-KNX consists of a microcontroller with galvanic isolation. It contains a complete certified KNX communication system and performs all necessary data formats conversion. This module is designed to connect a controller or other devices to the KNX. Due to its design it is applicable for small and mid-range quantities.

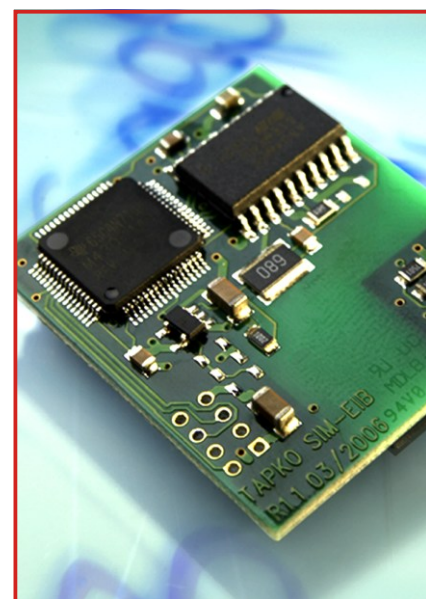
The SIM-KNX reduces time-to-market by making it easy to implement EIB functionality. Design engineers can add bus oriented functions without conceptual restrictions on the original application design. Our SIM-KNX Serial Interface Module also improves cost-effectiveness by simply removing overhead in your application development.



The flexible connection

Advantages

- Serial interface with ASCII protocol
- On board galvanic isolation (SELV)
- Cost effective KNX solutions
- Small dimensions: 30x36x10 mm
- High flexibility
- Faster time to market
- Adaptable
- KNX certified



Technical Information

Application Interface

- 3 wire serial asynchronous interface with 3 to 5 V level
- ASCII protocol with configurable baud rate and transmission parameter
- Access to group communication and interface objects
- Configurable indications with group communication

Features

- device model 0701
- configuration via ETS database entry or serial interface
- read requests from KNX serviced internally in the module
- Two different numbers of group objects: 128 or 252

Interoperability mode

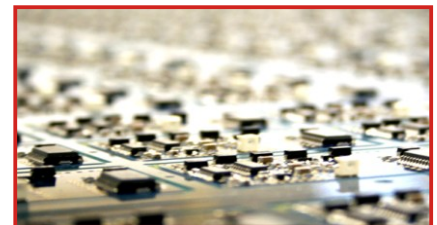
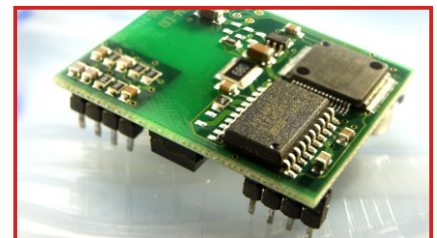
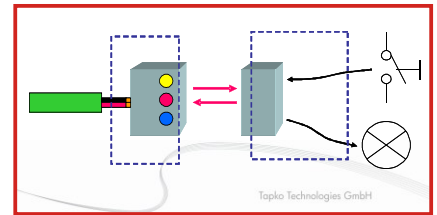
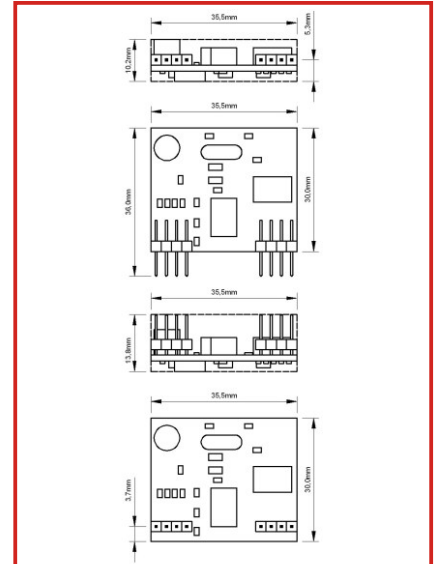
- support of KNX data types (EIS / DPT)
- data conversion for group object values (e.g. temperature -> EIS5)
- configurable send conditions for all group communication objects
- indication when data received, value changed, positive/negative edges
- cyclic (time configurable between 3 to 255 sec, 3 to 255 minutes)
- advanced transmit conditions
 - send on value difference
 - receive timeout on received telegrams
 - integrated threshold switch
 - triggers other group object when threshold value was passed

Raw mode

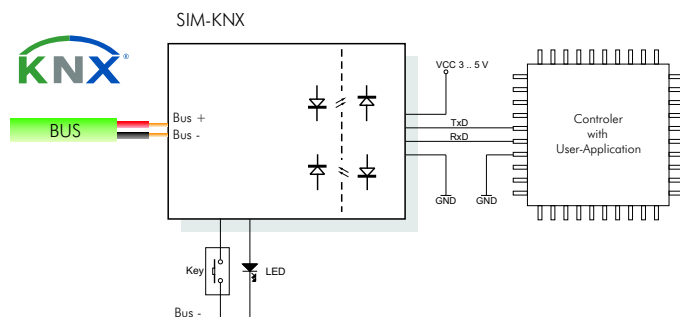
- transparent transmission of the group communication object data
- data conversion not active
- telegram generation triggered via serial interface
- configuration via serial interface

Transparent mode

- bypassing of group communication objects
- sending and receiving on all group addresses, no filtering



Application



009.002 E

The data contained herein are subject to change without notice.

TAPKO
TECHNOLOGIES GMBH

Im Gewerbepark A 15, 93059 Regensburg

+49941 307470 +49941 30747

@info@tapko.de

www.tapko.de